



FieldServer Driver - Serial FS-8700-88 Envirotronics Systems Plus™ Programmer / Controller

Description

The Envirotronics Systems Plus driver allows for direct interfacing to a Systems Plus Programmer / Controller device. The driver acts as a client to the device and can be used to read and set system parameters for status monitoring and control purposes. Combined with other protocol drivers on a FieldServer, complete Systems Plus monitoring and control is made possible via third party systems.

The driver is not available as a server since a FieldServer cannot fully emulate a Systems Plus device's interfaces. Any existing server drivers are for FieldServer testing purposes only.

Fieldserver Mode	Nodes	Comments
Client	1	Only 1 client node per FieldServer serial port allowed.

Formal Driver Type

Serial
Client Only

Connection Information

Connection type: RS-232
Baud Rates: 300; 600; 1200; 2400; 4800; 9600; 19200 Baud
Data Bits: 7,8
Stop Bits: 1,2
Parity: Odd, Even, None
Flow Control: RTS / CTS
Multidrop Capability: No

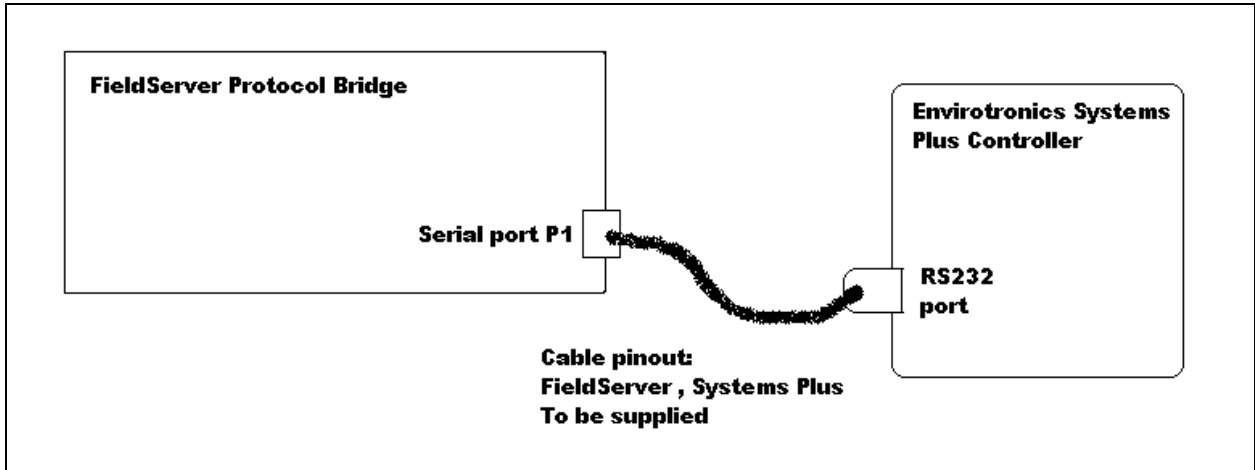
Devices tested

Device	Tested (FACTORY, SITE)
Envirotronics Systems Plus Controller	Factory

Systems Plus is a trademark of Envirotronics, Inc.



Connection configurations



Connection Notes

Additional Systems Plus Controllers may be connected each to a separate serial port on the FieldServer.

Communications functions

Supported functions at a glance:

Data Types Supported

FieldServer Data Type	Description (or Device Data Type)
Analog Input	Device parameter data
Binary Input	Device parameter statuses
Analog Output	Device parameter data
Binary Output	Device parameter statuses



FieldServer as a Client			
Read Analog Parameter Data:	Read Binary Parameter Status:	Write Analog Parameter Data:	Write Binary Parameter Status:
Read Setpoint Read PV Read Deviation Read Program Status Read Remaining Step Time Read Remaining Step Cycles Read Selected Program Read Step Number Read Step Time Read Start Step Read Initial Setpoint Read Start Time Read Stop Time Read Software Version	Read Event Read Events Read Aux Read Auxs Read Start Time Enabled Read Stop Time Enabled Read Alarm Status Read Alarm Log Read Audible Alarm	Set Setpoint Select Program Set Start Step Set Initial Setpoint Set Start Time Set Stop Time Set Date Set Time	Set Event Set Aux Set Circulators Set Lights Set Start Time Enabled Set Stop Time Enabled Set Audible Alarm
System Control Commands:	System Editing Commands:		
Emergency Stop Hold Program Resume Program Start Program Start System Stop Program Stop System Alarm Reset Alarm Acknowledge Use Keypad	<i>Editing Programs:</i> End Edit Edit Program Read Program Edit Step Read Step Remove Step Insert Step Add Step Clear Program Read Number Steps Read Setpoint Read Gsoak Enabled Read Gsoak Read Duration Read Events Read Aux Read Cycles Read Next Set Setpoint Set Gsoak Enabled Set Gsoak Set Duration Set Events	Set Auxs Set Cycles Set Next Read Units Set Analog Min Set Analog Max Set Analog Type Set Engineering Min Set Engineering Max Set Analog Address Set Units <i>Editing Channel Configuration Parameters:</i> Edit Analog Read Analog Min Read Analog Max Read Analog Type Read Engineering Min Read Engineering Max Read Analog Address	<i>Editing Alarm Configuration Parameters:</i> Edit Alarms Read Scan Set Scan <i>Editing Fuzzy Configuration Parameters:</i> Edit Fuzzy Read Fuzzy Set Fuzzy <u>Fuzzy phrases allowed:</u> Heat Cycle Time Cool Cycle Time Heat Sensitivity Cool Sensitivity Heat Max Power Cool Max Power Heat Min Time Cool Min Time Heat Stage Delay Cool Stage Delay Dead Band



Unsupported Functions and Data Types

Function	Reason
Use Emulator Mode	Emulator mode is used for remote user access via the device's system menu and cannot be used against a FieldServer for status monitoring and control.

Functions Described

The functions listed are “read”, “write” or “control” type command functions. Read functions request data from the Systems Plus device and store the data in data arrays made accessible to other protocol drivers. Read functions normally run continuously to update data from the Systems Plus device to the FieldServer.

Write functions take dynamic or static preloaded data from data arrays and request the Systems Plus device to update the relevant data internally. Data for write may be set up by other protocol drivers or be available as static data. Write functions may be set to write once, continuously or be “triggered” by other protocol drivers on the FieldServer

Control type functions usually do not transfer data but are used to effect system control such as starting and stopping the device. Control functions are normally “triggered” from other protocol drivers on the FieldServer.

Revision History

Date	Driver Version	Document Revision	Resp	Comment
7/26/02	1.00	0	DR	Created
10/16/02	1.02	0	DR	Added End Edit command
10/17/02	1.02	1		Cosmetic changes
12/20/02	1.02	2	MF	Updated formatting
7/25/03	1.02	3	JD	Releasing